



Chiyoda Integre

Sales & Marketing



# The Americas

Chiyoda Integre of America Inc.

San Diego (America's HQ)

9335 Airway Rd Suite 106

San Diego, CA 92154 USA



Chiyoda Integre of America Inc.

Novi (Sales Office)

28175 Haggerty Rd. St. 124

Novi MI, 48377







- **Chiyoda Integre de Baja California SA de CV** was established on November 19<sup>th</sup> 1995
  - Location: Tijuana, Baja California
  - Rent building
  - Business type: IMMEX
  - Certifications: IATF16949, ISO9001, ISO14001
  - 70% Audio & Visual (TV), 20 % Automotive, 10% Others



- **Chiyoda Integre de México SA de CV** was established on July 1<sup>st</sup> 2014
  - Location: Leon Guanajuato
  - Own building
  - Business type: Domestic and IMMEX after second half of 2020
  - Certifications: IATF16949, ISO9000, ISO14001
  - 100% Automotive ( At moment)

Mfg. Facilities





- *Japan – Kanto*

- HQ – Overseas Dept.
- Kanto Branch (Dev. Ctr.)
- SUNFELT CO., LTD

- *Japan – Chubu*

- Nagoya Branch
- Toyohashi Branch

- *Japan – Kinki*

- Kansai Branch

- *Japan – Kyushu*

- Oita Branch

- *Japan – Chugoku-Shikoku*

- Hiroshima Branch

- *Tohoku*

- Aomori Branch

- *SEA*

- Singapore (O)
- Kuala Lumpur
- Penang
- Johor
- Thailand
- Indonesia
- Vietnam
- Philippines
- Korea (O)
- Taiwan (O)

- *Europe*

- Slovakia
  - Bratislava
- Germany (O)
  - Dusseldorf

- *China*

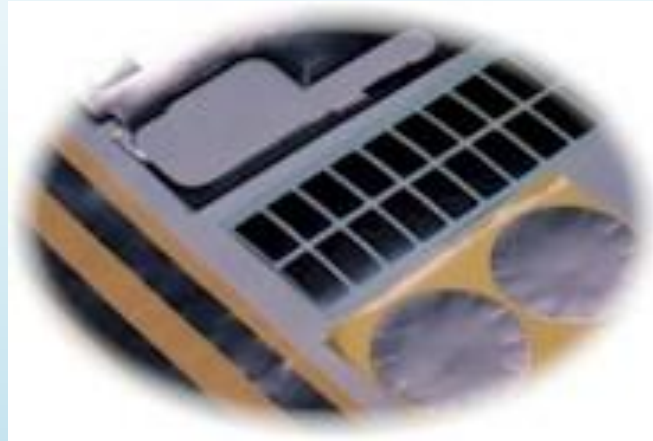
- Hong Kong (O)
- Dalian
- Shenzhen
- Zhongshan
- Suzhou
- Dongguan
- Tianjin
- Shandong
- Guangzhou

- *North America*

- San Diego, CA (O)
- Novi, MI (O)
- Tijuana México
- León, GTO México

Chiyoda Integre Global Presence (12 Countries, 35 bases)

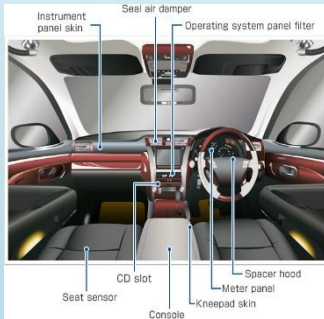
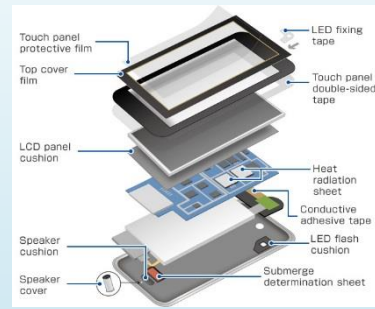
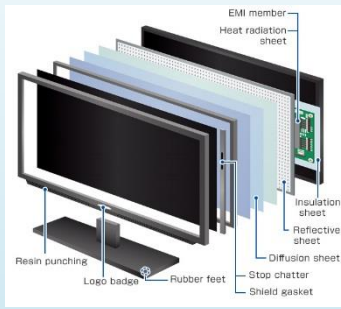
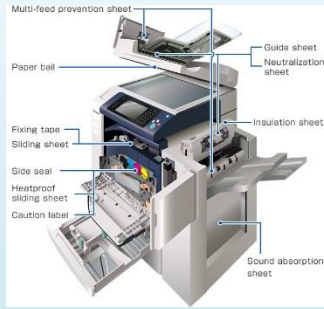




- **SOFT PRESS** is our core technology that precisely process soft materials such as plastic films, rubber, polyurethane foam, non-woven fabrics, polycarbonates, aramid papers, polypropylene, double sided adhesive tapes and many other soft composite materials.

Core Business – Die Cut Components





• Chiyoda Integre serves several Industries like:

- Office Automation (OA)
- **Audio and Visual (AV)**
- Home Appliance (HA)
- Electronic Components (EC)
- Telecommunication and Information (IT)
- **Automobile Equipment (AE)**
- Amusements and Advertisement (AA)
- Medical and Health Care (MH)
- Building and Living Materials (BL)

Served Industries – By Business Unit



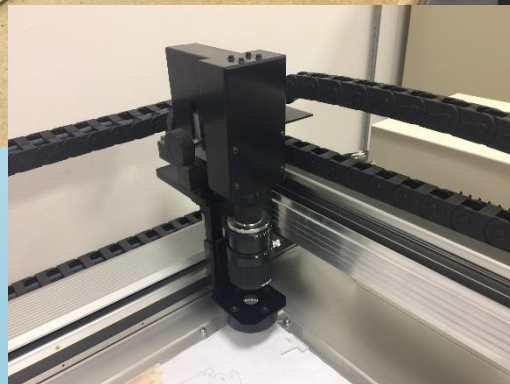




- **Equipment (It includes but not limited to)**
  - Laminator/Heat laminator
  - Slitters
  - Hi-Accurate guillotine (Kiss-Cut Capacity)
  - Flat bed press machine
  - Flat bed press machine with automatic feeder
  - Vertical press machine
  - Rotary press

# Processing Equipment





- **Inspection Equipment (It includes but not limited to)**

- All necessary to perform dimensional inspections

- Note:

Material performance inspections are required to our suppliers

## Inspection Equipment





ISO9001

**ABS Quality Evaluations**  
**Certificate Of Conformance**  
 This is to certify that the Quality Management System of:  
**Chiyoda Integre de México S.A. de C.V.**  
 Circuito Paseo de las Colinas Lote 1-12  
 Parque Industrial Colinas de León  
 León, Guanajuato 37668  
 México

has been assessed by ABS Quality Evaluations, Inc. and found to be in conformance with the requirements set forth by:  
**ISO 9001:2015**  
 The Quality Management System is applicable to:

TROQUELADO Y SUAJADO DE CINTA ADHESIVA, HULE ESPUMA, CAUCHO Y PARTES PLÁSTICAS PARA LA INDUSTRIA AUTOMOTRIZ  
 DIE CUTTING OF ADHESIVE TAPE, FOAM, RUBBER AND PLASTIC PARTS FULL PRODUCTION FOR THE AUTOMOTIVE INDUSTRY

This certificate may be found on the ABS QE Website ([www.abs-qe.com](http://www.abs-qe.com)). For certificates issued in the People's Republic of China information may also be verified on the CNCA website ([www.cnca.gov.cn](http://www.cnca.gov.cn)).

Certificate No: 58674  
 Effective Date: 04 March 2019  
 Expiration Date: 03 March 2022  
 Revision Date: 04 March 2019

*Dominic Townsend*  
 Dominic Townsend, President



Validity of this certificate is based on the successful completion of the periodic surveillance audits of the management system defined by the above scope and is contingent upon prompt, written notification to ABS Quality Evaluations, Inc. of significant changes to the management system or components thereof.  
 ABS Quality Evaluations, Inc. 1701 City Plaza Drive, Spring, TX 77389, U.S.A.  
 Validity of this certificate may be confirmed at [www.abs-qe.com/cert\\_validation](http://www.abs-qe.com/cert_validation).  
 Copyright 2011-2019 ABS Quality Evaluations, Inc. All rights reserved.

IATF16949

**ABS Quality Evaluations**  
**Certificate Of Conformance**  
 This is to certify that the Quality Management System of:  
**Chiyoda Integre de México S.A. de C.V.**  
 Circuito Paseo de las Colinas Lote 1-12  
 Parque Industrial Colinas de León  
 León, Guanajuato 37668  
 México

has been assessed by ABS Quality Evaluations, Inc. and found to be in conformance with the requirements set forth by:  
**IATF 16949:2016**  
 The Quality Management System is applicable to:

DIE CUTTING OF ADHESIVE TAPE, FOAM, RUBBER AND PLASTIC PARTS  
 EXCLUDING: PRODUCT DESIGN IATF 16949 CLAUSE 8.3

This certificate may be found on the ABS QE Website ([www.abs-qe.com](http://www.abs-qe.com)). For certificates issued in the People's Republic of China information may also be verified on the CNCA website ([www.cnca.gov.cn](http://www.cnca.gov.cn)).

Certificate No: 57628  
 Effective Date: 04 March 2019  
 Expiration Date: 03 March 2022  
 Revision Date: 04 March 2019  
 IATF No: 0350949

*Dominic Townsend*  
 Dominic Townsend, President



Validity of this certificate is based on the successful completion of the periodic surveillance audits of the management system defined by the above scope and is contingent upon prompt, written notification to ABS Quality Evaluations, Inc. of significant changes to the management system or components thereof.  
 ABS Quality Evaluations, Inc. 1701 City Plaza Drive, Spring, TX 77389, U.S.A.  
 Validity of this certificate may be confirmed at [www.abs-qe.com/cert\\_validation](http://www.abs-qe.com/cert_validation).  
 Copyright 2011-2019 ABS Quality Evaluations, Inc. All rights reserved.

ISO14001

**ABS Quality Evaluations**  
**Certificate Of Conformance**  
 This is to certify that the Environment Management System of:  
**Chiyoda Integre de México S.A. de C.V.**  
 Circuito Paseo de las Colinas Lote 1-12  
 Parque Industrial Colinas de León  
 León, Guanajuato 37668  
 México

has been assessed by ABS Quality Evaluations, Inc. and found to be in conformance with the requirements set forth by:  
**ISO 14001:2015**  
 The Environment Management System is applicable to:

DIE CUTTING OF ADHESIVE TAPE, FOAM, RUBBER AND PLASTICS PARTS  
 TROQUELADO Y SUAJADO DE CINTA ADHESIVA, HULE ESPUMA, CAUCHO Y PARTES PLÁSTICAS

This certificate may be found on the ABS QE Website ([www.abs-qe.com](http://www.abs-qe.com)). For certificates issued in the People's Republic of China information may also be verified on the CNCA website ([www.cnca.gov.cn](http://www.cnca.gov.cn)).

Certificate No: 57929  
 Effective Date: 19 February 2019  
 Expiration Date: 18 February 2022  
 Revision Date: 10 February 2019

*Dominic Townsend*  
 Dominic Townsend, President



Validity of this certificate is based on the successful completion of the periodic surveillance audits of the management system defined by the above scope and is contingent upon prompt, written notification to ABS Quality Evaluations, Inc. of significant changes to the management system or components thereof.  
 ABS Quality Evaluations, Inc. 1701 City Plaza Drive, Spring, TX 77389, U.S.A.  
 Validity of this certificate may be confirmed at [www.abs-qe.com/cert\\_validation](http://www.abs-qe.com/cert_validation).  
 Copyright 2011-2019 ABS Quality Evaluations, Inc. All rights reserved.

Certifications





- Chiyoda Integre have the leadership on customer service over our competitors. All our team, starting from sales are committed to provide our best effort to achieve customer satisfaction.

Chiyoda Integre Customer's advantage





Our customers - Automotive







Our customers - Automotive



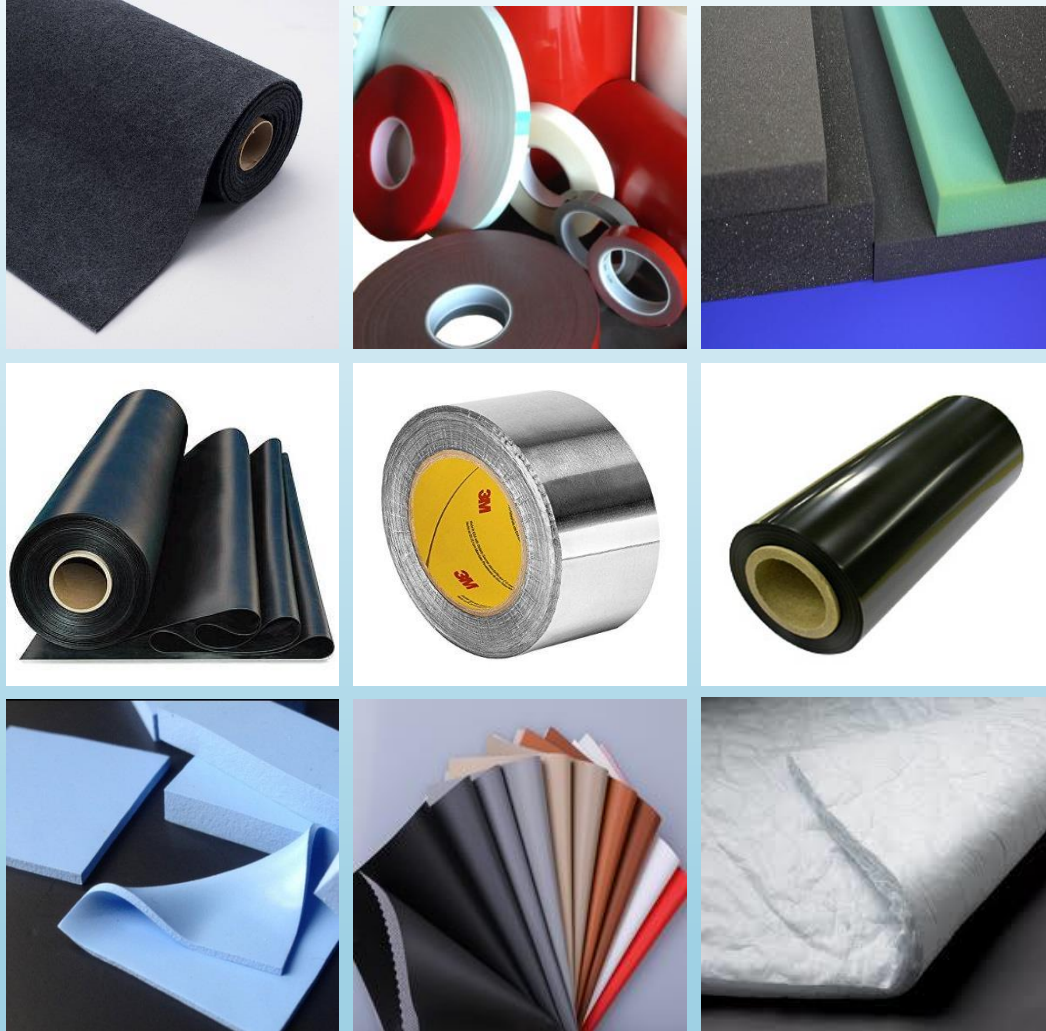


**NAGASE**



Raw Material Suppliers/Makers





- We have access to almost raw materials from global suppliers:
  - Non-woven fabrics
  - Adhesive tapes
  - Foams such as PU, PE, EPDM, Hi-Density PU
  - Rubbers
  - Copper & Aluminum foils
  - Films such as PC, PS, PP, PET, etc.
  - Thermal Pads
  - Artificial leathers/Vinyls
  - NVH Materials (Insulation)
  - Several more!

Raw Materials







Chiyoda Integre strives always to reach the best service and product, working together with customers and suppliers.

Sales Team

JC Palacios - GM

Thank you!

